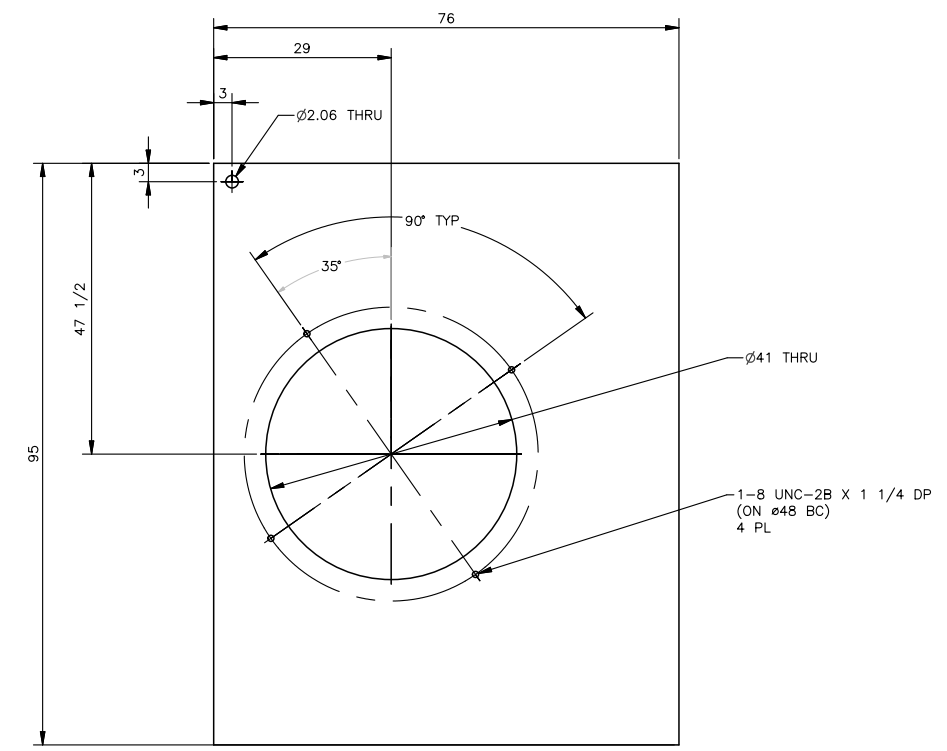
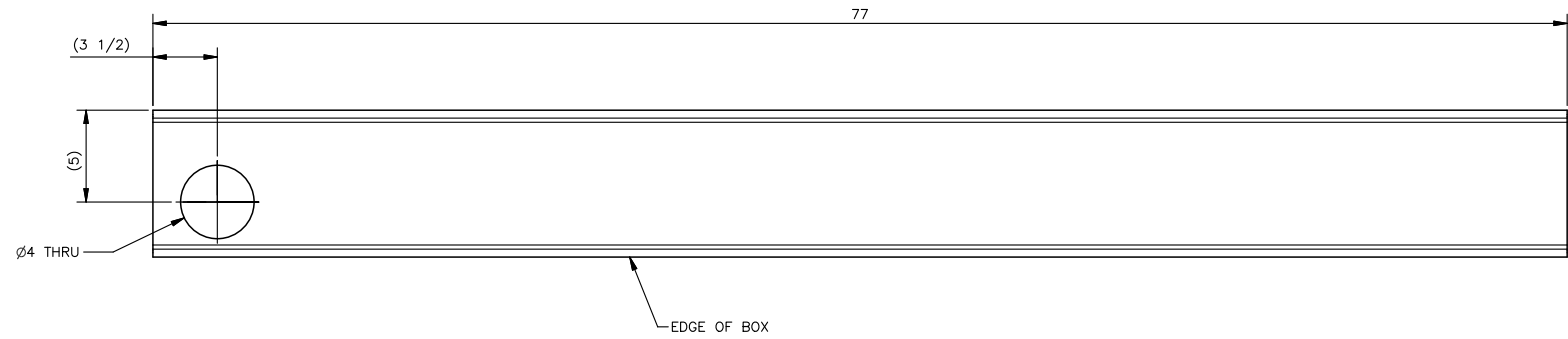


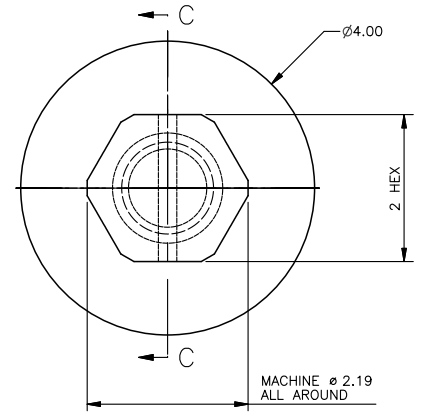
NOTES:
FOR GENERAL NOTES AND PARTS/MATERIAL LIST, SEE SHEET 1



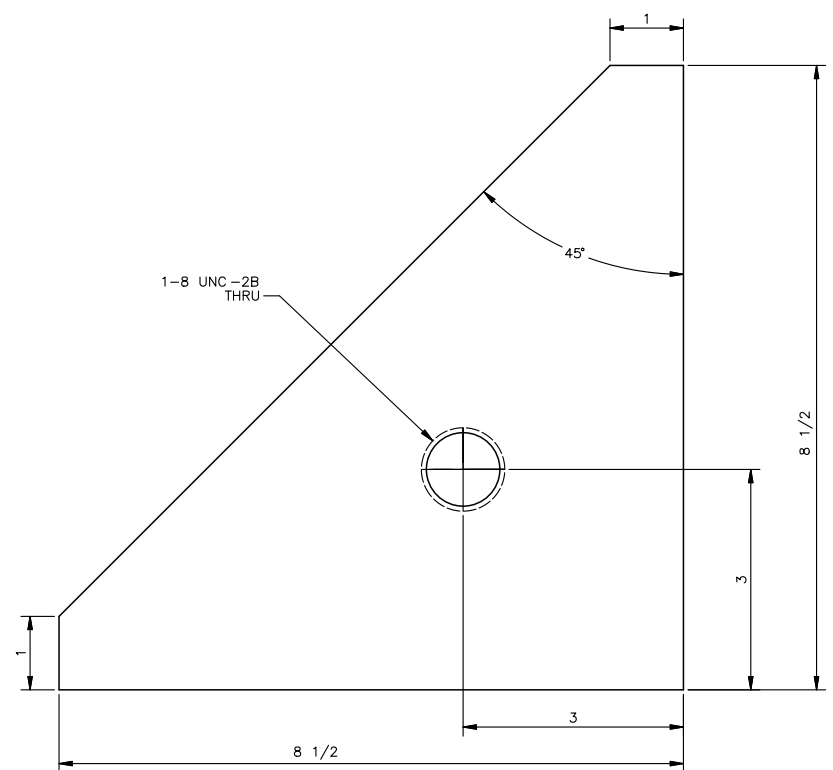
4 BOTTOM PLATE
SCALE: 1/12



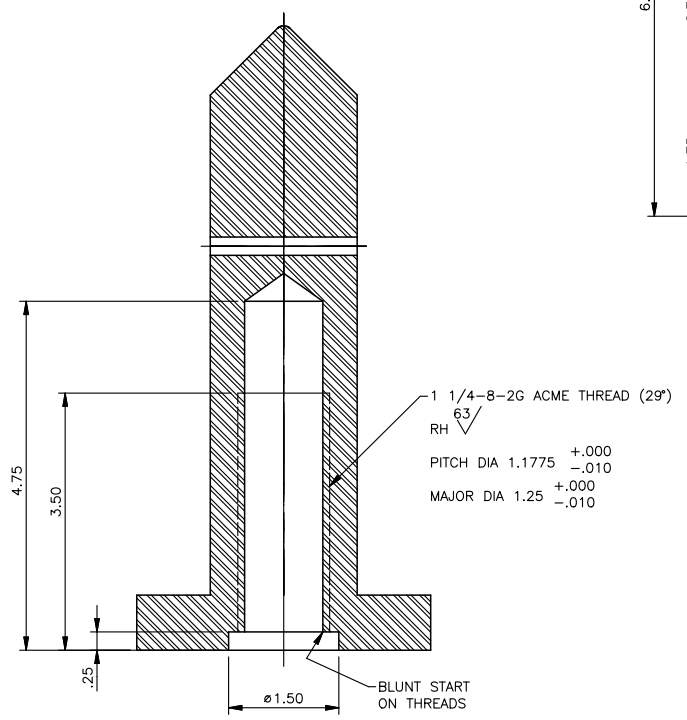
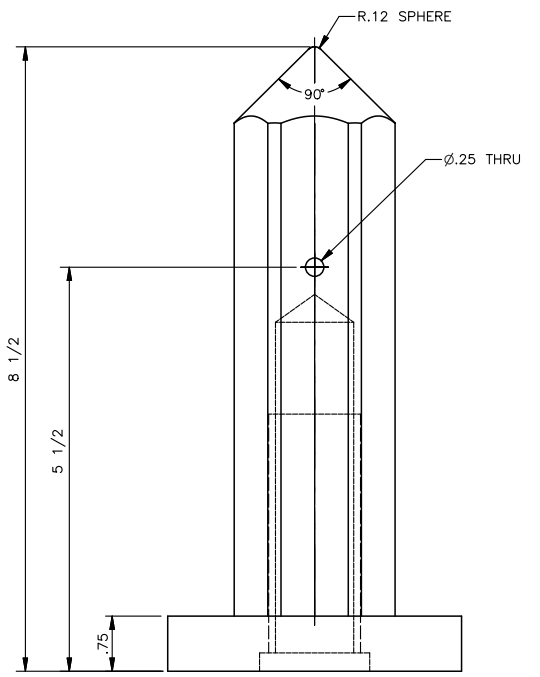
5 HOLED C-CHANNEL
SCALE: 1/4



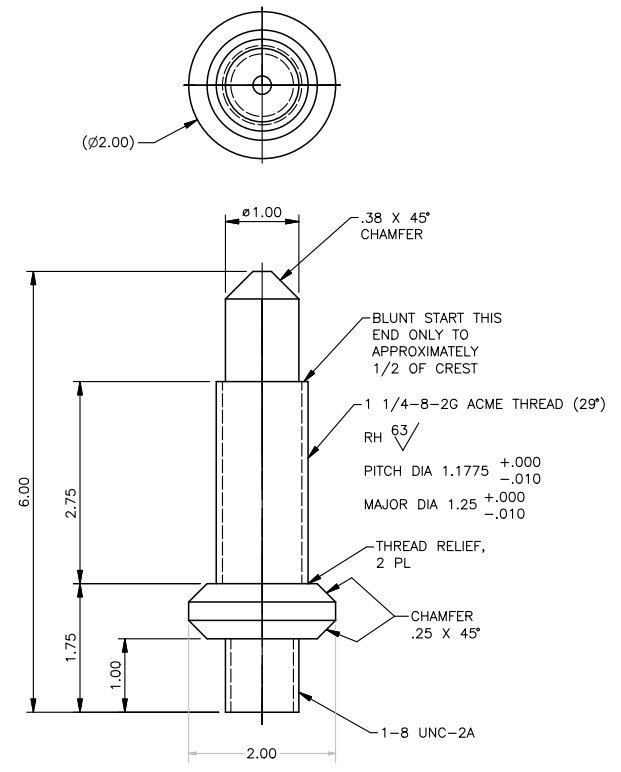
8 OPERATING NUT
SCALE: FULL



6 LIFTING LUG
SCALE: FULL



SECTION C-C
SCALE: 1/1



7 WELD SCREW
SCALE: FULL

DATE:
Sep 03, 2020

H-15-6	A-FARM WRS PIT MODELS	1	REVISED PER EDT-882692
H-14-111014	DRAWING LIST & TITLE SHEET		
REF NUMBER	TITLE	REV NO	DESCRIPTION
DRAWING TRACEABILITY LIST		REFERENCES	
NEXT USED ON SHEET 1		REVISIONS	

BUILD NO 241-A	NAME H A MENDEZ	DATE 09/03/20	COMPANY ARES	U.S. DEPARTMENT OF ENERGY Office of River Protection A-FARM RETRIEVAL CONTAINMENT BOX DETAILS
DRAWING CHECKER J R BYERS	DATE 09/03/20	ARES		
ENGINEERING PEER REVIEWER R W DAVIDSON	DATE 09/03/20	ARES		
DESIGN ENGINEER J R BYERS	DATE 09/03/20	ARES		
DESIGN AUTHORITY C H ANDERSON	DATE 09/03/20	ARES	SCALE SHOWN	DRAWING NUMBER H-14-111026 SHEET 3 OF 01